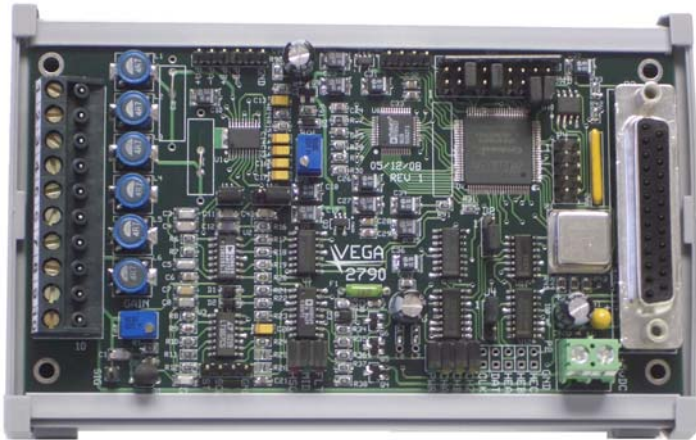


# VEGA

## MODEL 2790500



## RESOLVER TO ENCODER CONVERTER FOR MACHINE TOOL, POSITIONING, AND TRANSFER LINE APPLICATIONS

### \*\*\* APPLICATIONS \*\*\*

- Ideal For Closed Loop Positioning Systems
- Machine Tools
- Nuclear and Particle Accelerator Applications
- Synchrotron Instruments
- PLC Positioning Control
- Index/Rotary Tables
- Tracking/Telescope/Telemetry Systems
- Transfer Lines
- Robotic Applications
- Dispensing Systems

### RESOLVER TO DIGITAL INTERFACE

- Works with Harowe/Danaher, Tamagawa, Kerfott, Singer, AMCI or most any Synchro/Resolver
- Incremental encoder output signals
- Makes resolvers as easy to use as an encoder
- Jumper Selectable counts 1000, 1024, 2000, 2048, 4000, 4096, 8000, and 8192 A-quad-B with Index and complements
- Jumper Selectable Excitation Frequency including 2.5, 5.0, and 10 kHz

With the VEGA 2790500 converter you can have both the ruggedness of an resolver and the digital simplicity of an encoder interface. The 2790500 can be used with almost any resolver. The INDEX/MARKER pulse (Channel Z) will occur once per transducer cycle at the zero degree position.

### 2790500 SPECIFICATIONS

Excitation:	2.5, 5, or 10 kHz
Resolver Input:	0.8 to 18 vpp
Power Requirements:	5 vDC @ 250 mA
Drive Capacity:	200 mA Peak
Mechanical:	5.250 x 2.825 x 1.000
	5.400 x 3.500 x 1.850 w/DIN
Accuracy:	+/- 3 arc minutes typical
Weight:	80 grams (148 grams w/DIN)

### CONVERTER TRACKING RATE

The tracking rate is a function of the excitation frequency and quadrature counts. With a 2.5 kHz excitation and 4000 quadrature counts the tracking rate would be 9,600 rpm. With a 10.0 kHz excitation and 4000 quadrature counts the tracking rate would be 38,400 rpm. Reducing the counts will increase the tracking rate proportionately.

### \*\*\* ADVANCED FEATURES \*\*\*

- Incremental Encoder Output (\*Absolute within 1 Resolver cycle)
- Non-Phase Locked Loop Design for Faster Loop Closure (Less than 50 uSec @ 10 kHz)
- High Resolution and Highly Accurate
- Tuned Filter for Noise Immunity
- A-Quad-B, Index and Complements
- TTL/Line Driver Outputs
- Quadrature encoder signals to 4 mHz
- Single +5 vDC Supply Operation
- Loss of Phase Detection
- Fault Signal Output (Line Driver, and Active Pull-Up)
- Status LED's for Power, A, B, Z, Signal HI, Signal MID, and Fault
- Configurable Fault signal conditioning for Fail-Safe operations
- Compact Design and Easy to Install

\* Interpolated quadrature output upon power up to nearest null of resolver.

### PRICING AND DELIVERY

Model	Description	Price	Delivery
2790500	Resolver to Digital	\$475.00	In Stock
2790DIN	DIN Rail Kit	\$ 24.00	In Stock
2790CK1	Solder Connector Kit	\$ 17.00	In Stock
2790CK2	Crimp Connector Kit	\$ 27.00	In Stock



# PEOPLE IN CONTROL OF MOTION

# VEGA 2790500 RESOLVER TO ENCODER SPECIFICATIONS AND CONNECTIONS

## P1 RESOLVER CONNECTOR

PIN#	FUNCTION	COLOR
1	Sine HI	Red
2	Sine LO	Black
3	Sine Shield	SHLD
4	Cosine HI	Yellow
5	Cosine LO	Blue
6	Cosine Shield	SHLD
7	Feedback HI	Red/Wht
8	Feedback LO	Yel/Wht
9	Feedback Shield	SHLD
10	+5 vDC (*External)	N/A

## P2 POWER CONNECTOR

PIN#	FUNCTION	COLOR
*1	+5 vDC (*Same as P1-10)	Red
*2	DC Ground (*Same as P1-1)	Black

## P3 ENCODER CONNECTOR

PIN#	FUNCTION	COLOR
1	DC Ground (*Same as P2-2)	Black
2	Channel A+	Grey
3	Channel B+	Yellow
4	Channel Z+	Blue
5	Reserved	N/A
6	Reserved	N/A
7	Reserved	N/A
8	Fault (TTL)	Blu/Red
9	Reserved	N/A
10	+5 vDC (*Same as P2-1)	Red
11	Reserved	N/A
12	Reserved	N/A
13	Reserved	N/A
14	Channel A-	Violet
15	Channel B-	Orange
16	Channel Z-	Green
17	Reserved	N/A
18	Reserved	N/A
19	!Fault (Active Pull-Up)	Red/Blk
20	!Fault (TTL)	Blu/Blk
21	Reserved	N/A
22	Reserved	N/A
23	Reserved	N/A
24	Reserved	N/A
25	Active Pull-Up vDC	Blu/Wht

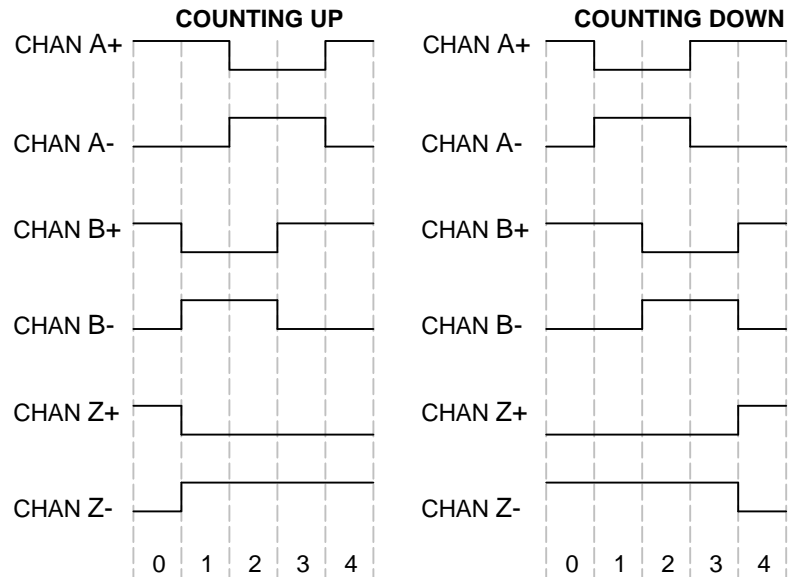
## QUADRATURE OUTPUT

The VEGA 2790 series of converter boards use RS-422-A differential drivers to provide 40 mA into a 100 ohm differential load. These outputs are also TTL compatible.

The output latency is dependent on the excitation frequency. At 2.5 kHz the response will be less than 200 uSec and at 10.0 kHz the response will be less than 50 uSec.

Quadrature is provided via Channel A+, Channel A-, Channel B+ and Channel B-. A count is considered to occur whenever there is a transition in either the Channel A or Channel B output signals. The Channel Z (Index) occurs once per resolver cycle. The phase relationship of the two signals indicates the direction of motion as shown in the figure below.

### QUADRATURE OUTPUT FORMAT



## THEORY OF OPERATION

The return signal is internally amplified coarse gain selection (J10). It is then passed thru an active filter network to reduce noise. The advanced tracking algorithm tracks return signal and interpolates A-Quad-B pulses based on the return signal.

The return signal level is monitored for high (HI LED), and low (LO LED) signal level. During fault detection or loss of power to the board the fault relay contacts will open (P1-8 and P1-9), and the A-Quad-B outputs will be tri-stated.

The Z channel (Marker Pulse) will occur once per resolver cycle.

## POWER UP SEQUENCE

- 1) The 2790 allows 50 mSec for the power to stabilize and then starts the resolver excitation.
- 2) The 2790 will then initialize the A-Quad-B outputs with channel A, B, and Z (index/marker) to active (high state).
- 3) The 2790 then interpolates out the absolute position in A-Quad-B pulses to the nearest resolver null.



## FREQUENCY SELECTION (B1-B2)

The 2790 series of converters provide selectable excitation frequencies via SWB1 jumpers B1 and B2. Most resolver applications are tuned to 2.5 kHz.

The 2790 also provides jumper selection of the active filter network for the return signal to provide the maximum noise immunity at the selected frequency. For the typical resolver application operating at 2.5 kHz both J10 and J11 jumpers should be installed. For excitation frequencies above 2.5 kHz both jumpers should be removed. For low level signal condition at 2.5 kHz J10 can be removed to achieve a x4 internal gain.

## DECIMAL/BINARY SELECTION (B3)

The 2790 converter card provides both decimal and binary counting modes. Installing SWB1 jumper B3 selects binary counting mode to provide selection between 256, 512, 1024, and 2048 line counts. Removing jumper B3 selects the decimal counting mode to provide selection between 250, 500, 1000, and 2000 line counts.

## LINE COUNT SELECTION (B4-B5)

The 2790 converter board provides 8 jumper selectable line counts. Binary counts are selected by installing SWB1 jumper B3 and installing the appropriate combination of jumpers B4 and B5. Most systems using encoder style feedback are set to the x4 quadrature counting mode so that the effective quadrature counts are 4 times greater than the physical line count of the encoder.

## RESERVED (B6-B9)

On the 2790 converter board Jumpers B6-B9 are reserved and should have all jumpers removed

See Figure 1.0 for SWB1 Jumper Chart.

## CHANNEL Z NORMAL/INVERTED SELECTION (J2)

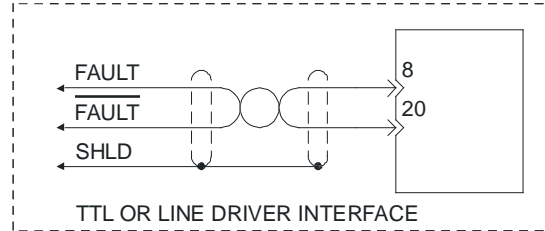
The 2790 converter board provides jumper selectable inversion of the Z Channel (Index) for systems requiring an active low signal. Jumper J2 pins 2-3 select the channel Z Normal mode and pins 1-2 select the Channel Z Inverted mode.

## FAULT MODE OUTPUT SELECTION

The 2790 converter board provides several methods of interface for fail safe fault detection.

### DIFFERENTIAL FAULT SIGNAL SET-UP (J4)

Installing a jumper on J4 pins 1-2 enables the RS-422-A differential drivers and provide up to 40 mA into a 100 ohm differential load. These outputs are also TTL compatible and are located on pins 8 and 20 of the P3 connector.

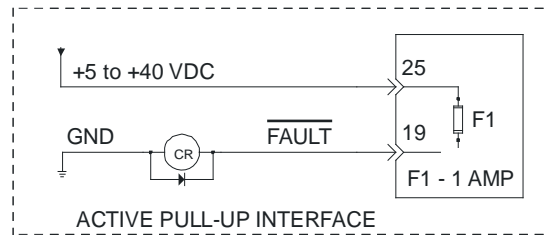


### TRI-STATE A-QUAD-B FAULT SIGNAL SET-UP (J4)

Install a jumper on J4 pins 2-3. The 2790 board will Tri-State the A-Quad-B signals as well as the Z Channel during a Fault condition. The +/- Fault TTL signals located on P3 pins 8 and 20 are also Tri-States and are NOT a valid interface with this set-up. This interface will allow an immediate Fault sense by equipment with loss of signal detection.

### ACTIVE PULL-UP FAULT SIGNAL SET-UP

The active pull-up interface is a fail-safe design so that in a loss of power condition the 2790 will still drop the fault signal on Pin 19 of the P3 connector. Pin 19 will be the source voltage with no fault present and can drive up to 600 mA. The source voltage for the Pull-up must be provided on Pin 25 of the P3 connector and can range from 5-40 vDC.



FUNCTION	B1	B2	B3	B4	B5	B6	B7	B8	B9	Quadrature Counts
2.5 kHz	0	0								
5.0 kHz	1	0								
10.0 kHz	0	1								
Reserved	1	1								
Decimal Count			0							
Binary Count			1							
250/256 Lines				0	0					1000 Decimal/1024 Binary
500/512 Lines				1	0					2000 Decimal/4048 Binary
1000/1024 Lines				0	1					4000 Decimal/4096 Binary
2000/2048 Lines				1	1					8000 Decimal/8192 Binary
Default						0	0	0	0	
Reserved						1				
Reserved							1			
Reserved								1		
Reserved									1	

- Figure 1.0 -

1 Indicates installed jumper

Indicates default setting

## RESOLVER SET-UP PROCEDURE

- 1) Install the 2790 board as described in the application drawing 2790500
- 2) Select the fault signal conditioning method by setting the J4 jumper as described in the JUMPER SETTINGS section and the jumper table (Fig. 1.0) based on the application requirements.
- 3) Select the Z Channel inverted option by setting J2 to short pins 1 and 2. The DEFAULT is non-inverting and having pins 2 and 3 shorted on J2.
- 4) Select the excitation frequency by JB1-2 of SWB1 (see jumper table Fig. 1.0). 2.5 kHz is the DEFAULT setting with both jumpers removed.
- 5) Select the passive filter setting by J11 for the corresponding frequency setting. The DEFAULT setting is for a board set to 2.5 kHz and J11 is installed.
- 6) Select the counting style of Binary or Decimal by JB3 of SWB1 (see jumper table Fig. 1.0). Decimal is the DEFAULT setting with the jumper removed.
- 7) Select the line count per revolution by setting JB4-5 of SWB1 (see jumper table Fig. 1.0). 1000 lines per revolution (4000 quadrature counts per revolution) is the DEFAULT setting with JB4 removed and JB5 installed.
- 8) Jumpers JB6-8 are reserved on the 2790500 and should be removed.
- 9) J10 selects in the input course gain range and allows for interface to a broad range of resolver transformation ratios. Installing a jumper on pins 1 and 2 sets the gain to 0.25 (gain of  $\frac{1}{4}$ ). Installing a jumper on pins 2 and 3 sets the gain to 1.0 and removing the jumpers completely sets the gain to 4.0.
- 10) Turn the gain potentiometer fully counter-clockwise. Then turn the gain potentiometer clock-wise until the MID LED comes on. The signal return on "ST1" test point should now be 3.8 volts peak to peak. Phase the position loop if necessary by reversing the Sine HI and Sine LO wires to reverse the count direction. At this point the basic set-up is complete and the position loop can now be closed. Set the position loop gain of the servo system and then continue to Step 11.
- 11) After the position loop has been closed the phase balance of the 2790 board can be adjusted. To adjust the amplitude balance of the 2790 board, use an AC RMS meter and record the value of PB- to PB+. Then measure the value of PA- to PA+ and adjust the balance pot (BAL) on the 2790 to match the value recorded for PB- to PB+.

### LED STATUS INDICATORS

**CHA** = Channel A State Indicator  
**CHB** = Channel B State Indicator  
**CHZ** = Channel Z (Index/Marker) Indicator  
**PWR** = Power Status Indicator

**FLT** = Loss of Signal Indicator  
**MID** = Return Signal Proper Indicator  
**HSG** = High Signal Indicator

### TEST POINTS

**GND** = Analog Ground  
**PA+** = Sine HI (3.6 vDC Peak to Peak)  
**PA-** = Sine LO (3.6 vDC Peak to Peak)  
**PB+** = Cosine HI (3.6 vDC Peak to Peak)  
**PB-** = Cosine LO (3.6 vDC Peak to Peak)

**SIG** = Signal Return (0.8-18.0 vDC Peak to Peak)  
**ST1** = Stage 1 Signal (3.8 vDC Peak to Peak)  
**SCL** = Tracking Clock

## TROUBLE SHOOTING

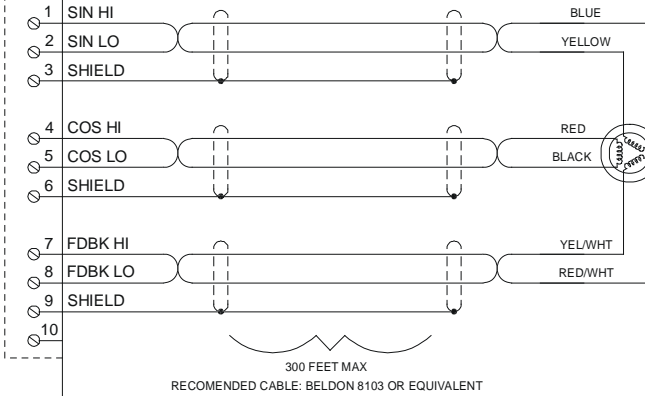
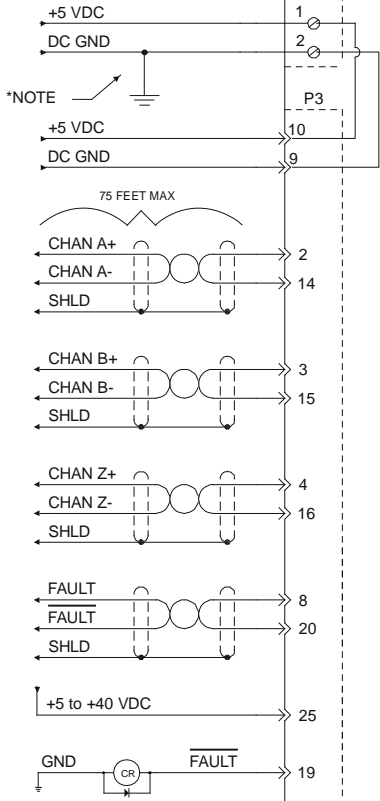
SYMPTOM	CHECKS	SOLUTION
No Power LED	Check +5 vDC	+5 vDC Present → Board Failure – Replace board
Fault LED (Low Signal) Continuous	Remove power and the P1 connector. Ohm between the wires on P1 pin 1 and P1 pin 2, note value. the wires on P1 pin 4 and P1 pin 5, note value.	If resistance values are less than 30 ohms – Check for shorts between P1 pin 1 and P1 pin 2 as well as ground. Check for shorts between P1 pin 4 and P1 pin 5 as well as ground.
	With power on, measure the AC RMS between “PA-“ and “PA+” for 2.3 vAC	Signal not present → Board Failure – Replace board
	With power on, measure the AC RMS between “PB-“ and “PB+” for 2.3 vAC	Signal not present → Board Failure – Replace board
	Measure the AC RMS between “GND” and “STG1” test point for 1.3 vAC	Repeat Step 9-10 of the Resolver Set-Up Procedure
Fault LED (Low Signal) Intermittent	Check “STG1” test point for bounce	Repeat step 11 of the Resolver Set-Up Procedure
	With power on, measure the AC RMS between “PA-“ and “PA+” for 2.3 vAC	Signal not present → Board Failure – Replace board
	With power on, measure the AC RMS between “PB-“ and “PB+” for 2.3 vAC	Signal not present → Board Failure – Replace board
	Remove power and the P1 connector. Ohm between the wires on P1 pin 1 and P1 pin 2, note value. the wires on P1 pin 4 and P1 pin 5, note value.	If resistance values differ by more than 3 ohms of each other → Check resolver windings – Replace slider or cables. If resistance values are less than 30 ohms – Check for shorts between P1 pin 1 and P1 pin 2 as well as ground. Check for shorts between P1 pin 4 and P1 pin 5 as well as ground
Cyclic Error	Check “ST1” test point for bounce	Repeat step 11 of the Resolver Set-Up Procedure
	With power on, measure the AC RMS between “PA-“ and “PA+” for 2.3 vAC	Signal not present → Board Failure – Replace board
	With power on, measure the AC RMS between “PB-“ and “PB+” for 2.3 vAC	Signal not present → Board Failure – Replace board
	Remove power and the P1 connector. Ohm between the wires on P1 pin 1 and P1 pin 2, note value. the wires on P1 pin 4 and P1 pin 5, note value.	If resistance values differ by more than 3 ohms of each other → Check resolver windings – Replace slider or cables. If resistance values are less than 30 ohms – Check for shorts between P1 pin 1 and P1 pin 2 as well as ground. Check for shorts between P1 pin 4 and P1 pin 5 as well as ground
HSG LED (High Signal) Continuous	Measure the AC RMS between “GND” and “STG1” test point for 1.3 vAC	Repeat Step 9-10 of the Resolver Set-Up Procedure
HSG LED (High Signal) Intermittent	Check “STG1” test point for bounce	Follow procedures described in the Fault LED (Low Signal) Intermittent section
MID LED (Signal Midpoint) Continuous	Signal Proper	No Problem... Life is Good
MID LED (Signal Midpoint) Intermittent	Check “ST1” test point for bounce	Repeat step 11 of the Resolver Set-Up Procedure
Feedback Polarity is Reversed	None	Swapping the Sine HI with the Sine LO wires will reverse the counting direction of the A-quad-B

# MECHANICAL AND APPLICATION DRAWINGS

\*\*\* POWER CONNECTIONS \*\*\*  
USE P2 SCREW TERMINALS OR P3 CONTACTS FOR POWER ENTRY

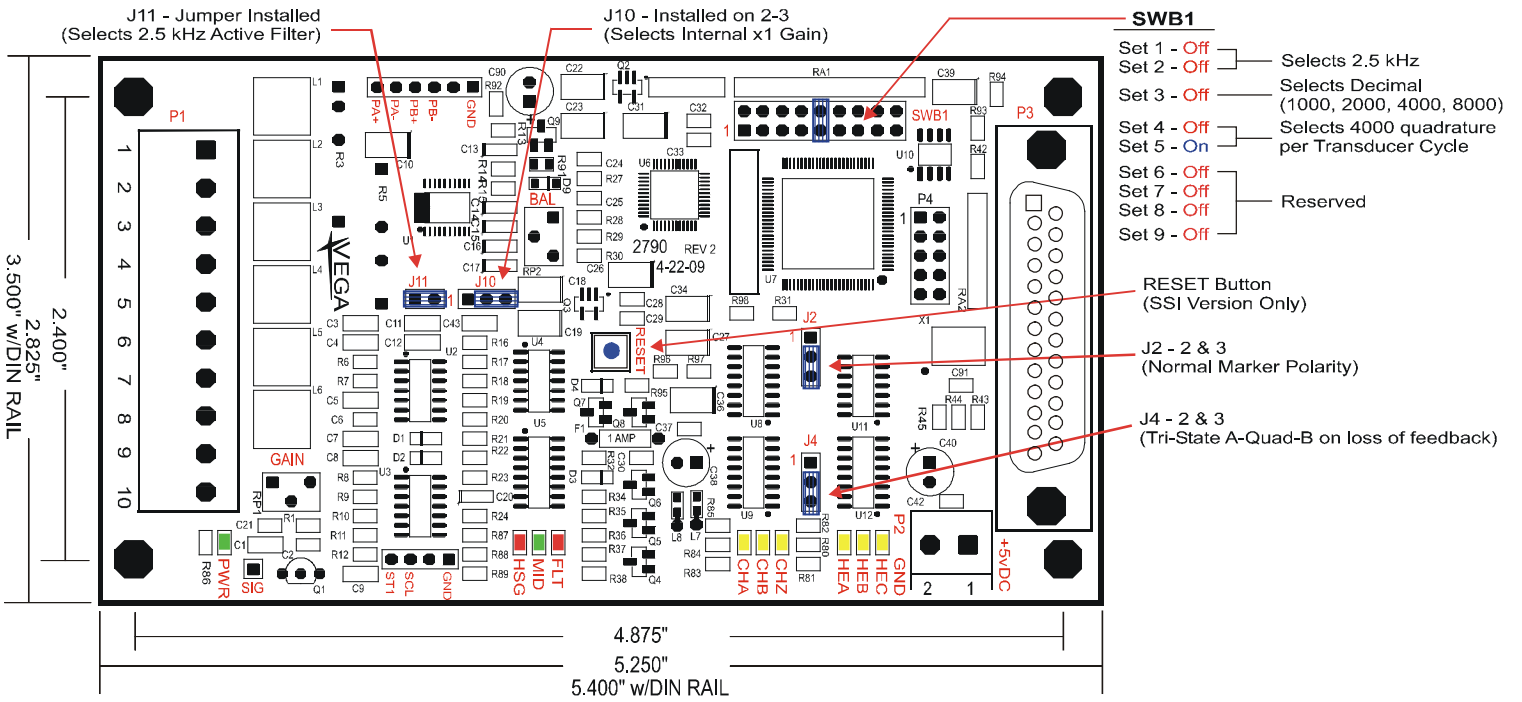
VEGA 2790500  
RESOLVER TO ENCODER

HAROWE/DANAHER,  
TAMAGAWA, KERFOTT,  
SINGER, AMCI RESOLVER  
AND HOLLOW SHAFT  
RESOLVERS



\*NOTE:  
THE DC RETURN OF THE +5 VDC  
SHOULD BE BONDED TO EARTH  
GROUND

<b>VEGA</b> 1270 SOUTER TROY, MI 48083		SCALE	N/A	NAME	
		DRAWN	CAST	2790500	
THIS DOCUMENT CONTAINS PROPRIETARY INFORMATION AND SUCH INFORMATION MAY NOT BE DISCLOSED TO OTHERS FOR ANY PURPOSE OR USED FOR MANUFACTURING PURPOSES WITHOUT WRITTEN PERMISSION FROM INNOVATIVE SUPPORT SERVICES INC.		ENGINEER	CAST	Resolver	
		DATE	08-25-12	Application Interface	
REV	2790	DWG			
REV	1 OF 1	DWG			



INCH DIMENSIONS

**POWER REQUIREMENTS**

The 2790500 converter requires +5 vDC supply @ 250 mA for operation. The supplied power should have less than 50 mVolts of noise and drift.

**Recommended Power Supplies (If Required)**

Mean Well MDR-20-5 (+5 vDC @ 3 Amps)

Mean Well MDR-40-5 (+5 vDC @ 6 Amps)

**CABLE SPECIFICATIONS**

The 2790 series of converters provide stable and precise sine and cosine excitations. These signals and the return signal are analog and proper routing and shielding techniques should be observed. Shielded twisted pair cables should be used for all interface signals.

**Recommended Cable**

Shielded Twisted Pair with Drain Wire

Belden #8103 or equivalent

**Connector Kits and Mounting Options**

KIT #2790CK1

Includes:

(1) DB-25 Male Solder Cup Connector

(1) DB-25 Plastic Hood and Hardware

KIT #2790CK2

Includes:

(1) DB-25 Male Crimp Style Connector

(25) Gold Male Crimp Pins

(1) DB-25 Plastic Hood and Hardware

\* Use Molex Crimper HTR2445A or similar

KIT #2790DIN

Includes:

(1) DIN Rail Mount for 2790 boards

**REPAIR AND TECHNICAL SUPPORT**

Monday-Friday 8:00am to 6:00pm Eastern